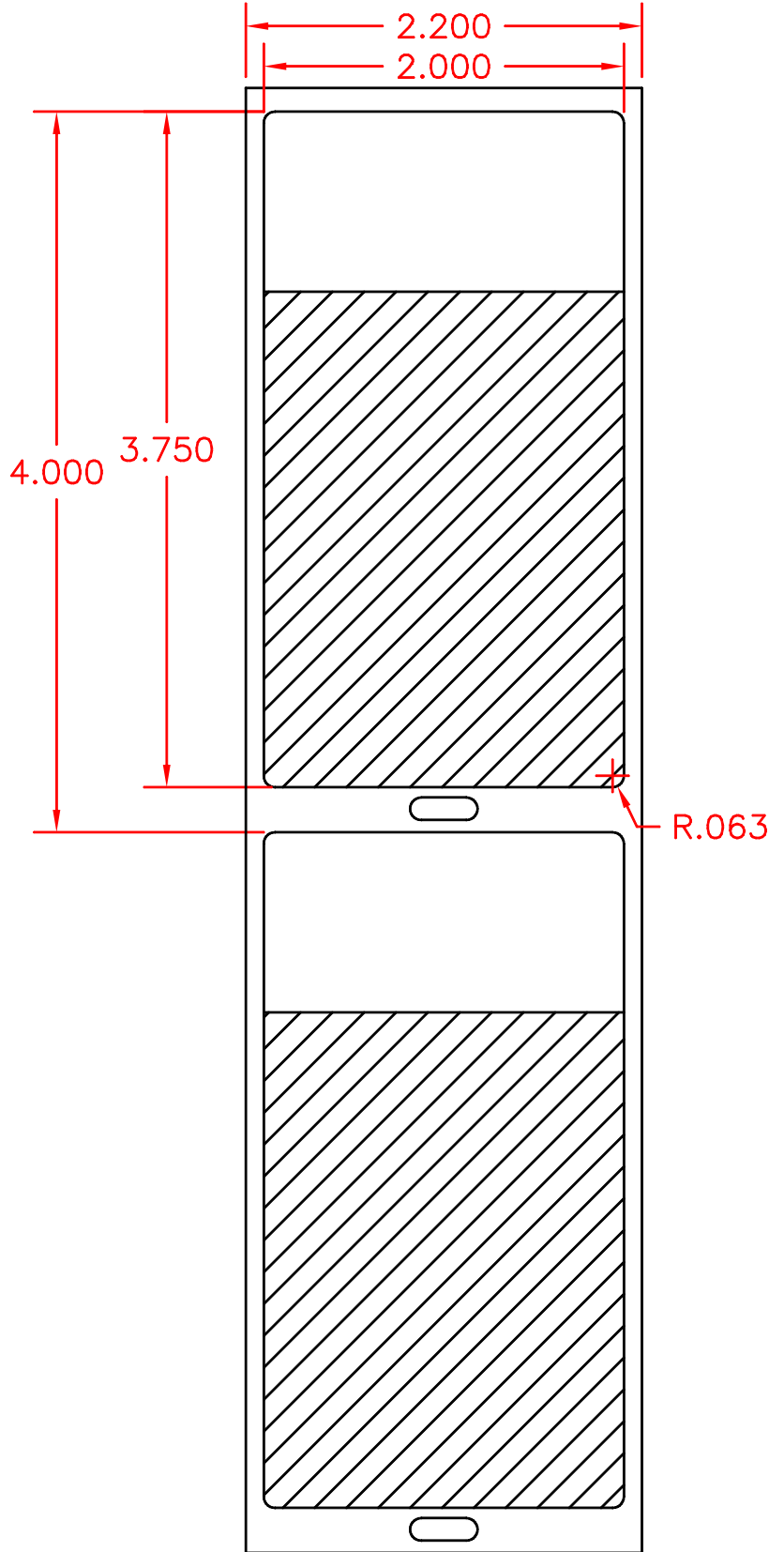


# ZIPTAPE THS-206

WIDTH 2.00  
 HEIGHT 3.75  
 WRITE-ON HT 1.00  
 HR 2.00  
 VR 4.00  
 WEB WIDTH 2.20  
 MARGIN 0.10  
 DIE # 206  
 FT/1M 333.4

SINGLE CENTERED NOTCH

REVISION	DATE	NOTES	BY
1	1/15/07	CORRECT WEB WIDTH ERROR	RF
1	1/19/07	WAS 2 NOTCHES IS SINGLE CENTERED NOTCH	RF



THIS DESIGN IS PROPERTY OF  
 ACCESSIBLE PRODUCTS CO.  
 AND SHALL NOT BE USED  
 WITHOUT WRITTEN CONSENT.



**ZIPTAPE**  
 LABEL I.D. SYSTEMS

2212 W. 5th PL., Tempe, Az 85281 (480) 967-8888

DESCRIPTION	SCALE	DRN
THS-206	1:1	SP
MATERIAL	DATE	
727	6/28/06	

DRAWING NUMBER  
 THS-206